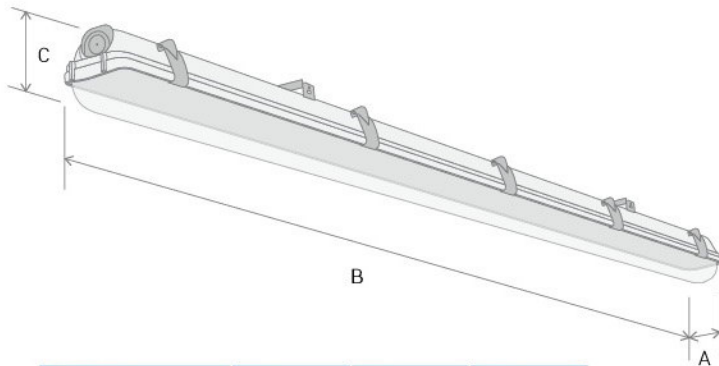


Industrial:LED



VANGUARD
LUX



Industrial:LED is a lamp replacing fluorescent lightings of power 2x36W and 2x58W and high resistance index IP65. The source of light – LEDs – is the same as in Intel and Smart luminaires, but the casing is made from polycarbonate. As standard are also very durable hooks made of galvanized steel.

	A	B	C
IND-MEDIUM	101	1277	101
IND-PLUS	101	1277	101
IND MAX	95	1570	104

Industrial:LED Medium

	P	lm	K	Ra	IP	A
IND-MEDIUM-WW	45	4600	3000K	>80	66	50°
IND-MEDIUM-NW	45	4700	4000K	>80	66	50°
IND-MEDIUM-DW	45	4800	5000K	>80	66	50°

Industrial:LED Plus

	P	lm	K	Ra	IP	A
IND-PLUS-WW	59	6150	3000K	>80	66	50°
IND-PLUS-NW	59	6250	4000K	>80	66	50°
IND PLUS DW	59	6350	5000K	>80	66	50°

Industrial:LED Max

	P	lm	K	Ra	IP	A
IND-MAX-WW	81	9100	3000K	>80	66	150°
IND-MAX-NW	81	9200	4000K	>80	66	150°
IND-MAX-DW	81	9300	5000K	>80	66	150°

/ Available configurations

IND-PLUS - SS - NW - DM - DALI